

CONSTRUCTION EQUIPMENT

SUNWARD
INNOVATION LEADS TO VALUE

MEDIUM EXCAVATOR **SWE 215F**

Engine Power: **129 kW**

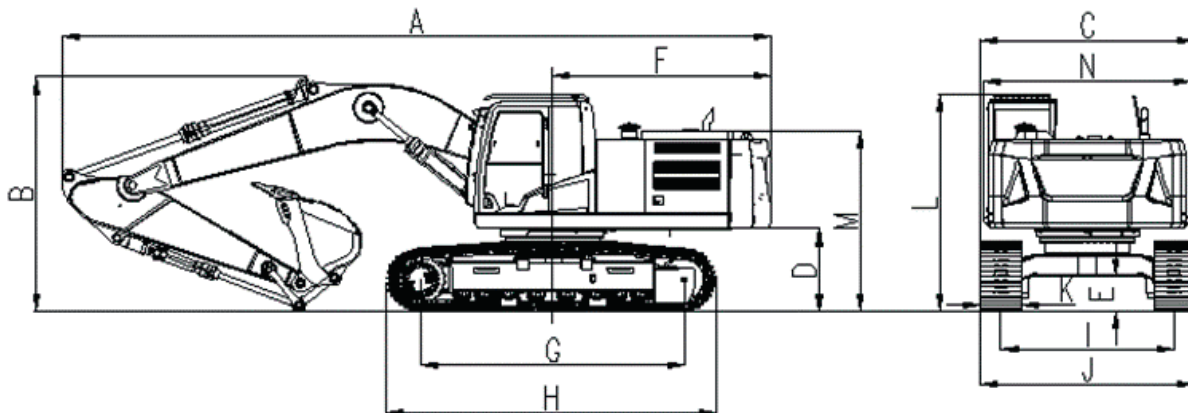
Machine Weight: **21 800 - 22 300 kg**



TECHNICAL PARAMETERS

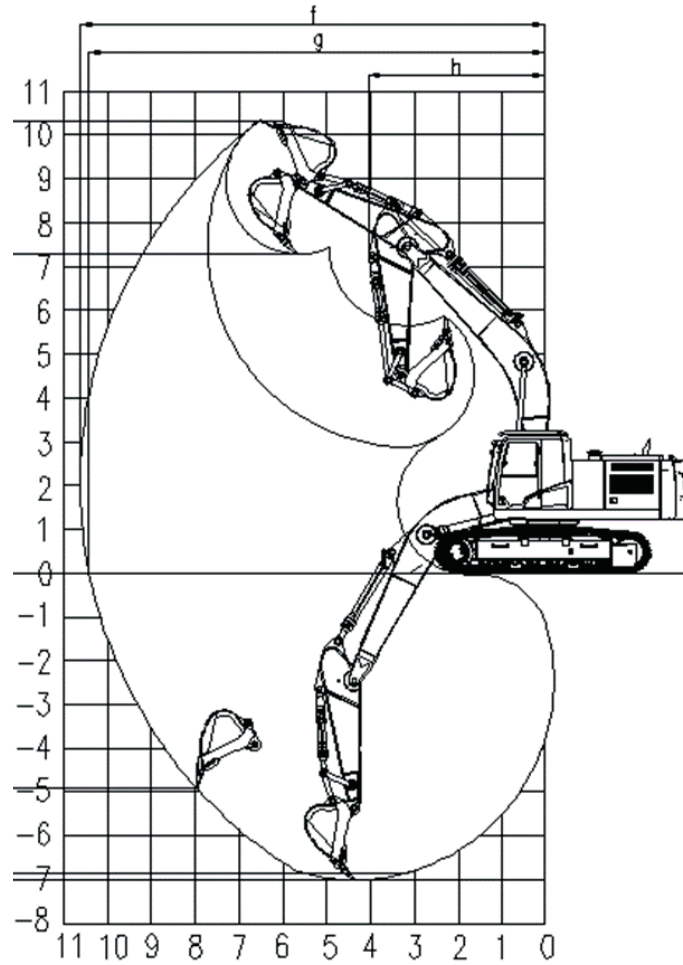
TYPE OF CAB		Cab
BUCKET CAPACITY		0.8-1.1m ³
BUCKET WIDTH, STD.		370 mm
MACHINE WEIGHT		21800 - 22 300 kg
DIMENSIONS	Overall dimension (L × W × H)	9 570 × 2 990 × 3 150 mm
	A Total length	9 570 mm
	B Total height	3 150 mm
	C Total with	2 990 mm
	D Ground clearance of counter weight	1 070 mm
	E Minimum ground clearance	480 mm
	F Tail swing radius	2 750 mm
	G Track length on the ground	3 653 mm
	H Track length	4 459 mm
	I Track gauge	2 390 mm
	J Undercarriage width	2 990 mm
	K Track shoe width	600 mm
	L Cab height	2 990 mm
	M Height of engine hood	2 520 mm
N Width of turntable	2 710 mm	
ENGINE	Brand	CUMMINS
	Model	QSB6.7
	Type	High pressure common rail
	Emission rating	EU Stage V
	Displacement	6.7 L
	Output	129 kW / 2 200 rpm
	Max torque	881 N*m / 1 300 rpm
TRACK	Type	Steel track
	Rubber shoe width	600 mm
UNDERCARRIAGE	Track length	4 459 mm
	Traveling speed (High/Low)	5.2/3.3 km/h
	Gradeability	35 deg
SWING SPEED		11.8 rpm
GROUND PRESSURE		47 kpa
HYDRAULIC PUMPS	Hydraulic pump type	2×Variable piston pump
	Max displacement of hydraulic pump	2×260 L/min
	Hydraulic pressure of hydraulic pump	31.4/34.3 Mpa
	Pilot pump	1×Gear pump
	Max displacement of pilot pump	20 L/min
Hydraulic pressure of pilot pump	3.9 Mpa	
SWING MOTOR		Piston motor
TRAVEL MOTOR		Piston motor
FUEL TANK CAPACITY		400 L
HYDRAULIC OIL TANK CAPACITY		300 L

DIMENSIONS



WORKING RANGE

WORKING RANGE & BREAKOUT FORCE	a	Max. cutting height	9 750 mm
	b	Max. loading height	6 980 mm
	c	Max. digging depth	6 750 mm
	d	Max. digging depth (2.4 m)	6 440 mm
	e	Max. vertical digging depth	5 900 mm
	f	Max. digging reach	9 980 mm
	g	Max. reach on ground	9 820 mm
	h	Min. front swing radius	3 560 mm
		Max digging force (Bucket)	155 kN
		Max digging force (Arm)	110 kN

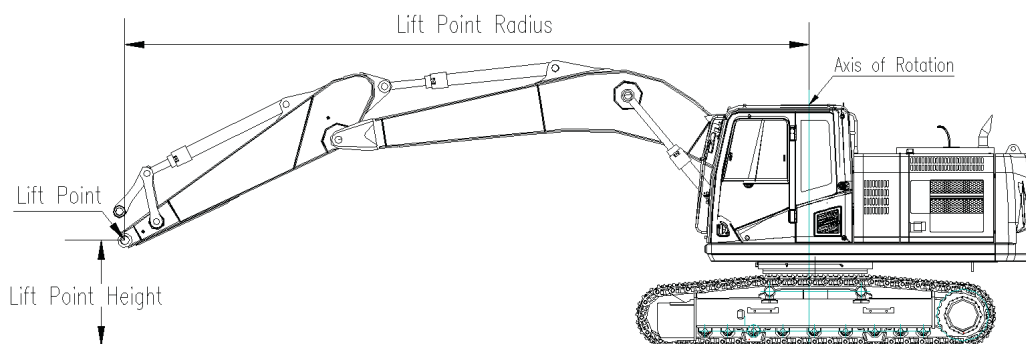


LIFTING CAPACITY

Lift Point Height (m)	Lift Point Radius (MAX)			Lift Point Radius (4.0 m)		Lift Point Radius (5.0 m)		Lift Point Radius (6.0 m)		Lift Point Radius (7.0 m)		Lift Point Radius (8.0 m)	
	Over-front (kg)	A(m)	Over-side (kg)	Over-front (kg)	Over-side (kg)	Over-front (kg)	Over-side (kg)	Over-front (kg)	Over-side (kg)	Over-front (kg)	Over-side (kg)	Over-front (kg)	Over-side (kg)
8.0m	3158*	5,724	3038	/	/	/	/	/	/	/	/	/	/
7.0m	3323*	6,676	2558	/	/	/	/	/	/	/	/	/	/
6.0m	3524*	7,366	2093	/	/	/	/	/	/	3419*	2970	/	/
5.0m	3532*	7,868	1830	/	/	/	/	3845*	3776*	3584*	2970	/	/
4.0m	3619*	8,214	1643	/	/	4637*	4959*	3959*	3548	3872*	2835	3619*	1988
3.0m	2580*	8,425	1710	/	7778*	5272*	4823	4463*	3240	3225	2595	3173	1935
2.0m	2198	8,543	1613	/	6004	5855*	4313	4924*	3090	4420*	2490	2543	1830
1.0m	1545	8,6	1545	/	5550	7273*	4125	5438*	3030	3203	2348	3015	1793
0.0m	1635	8,324	1635	/	5745	5888	4013	4388*	3015	4185	2258	3450	1740

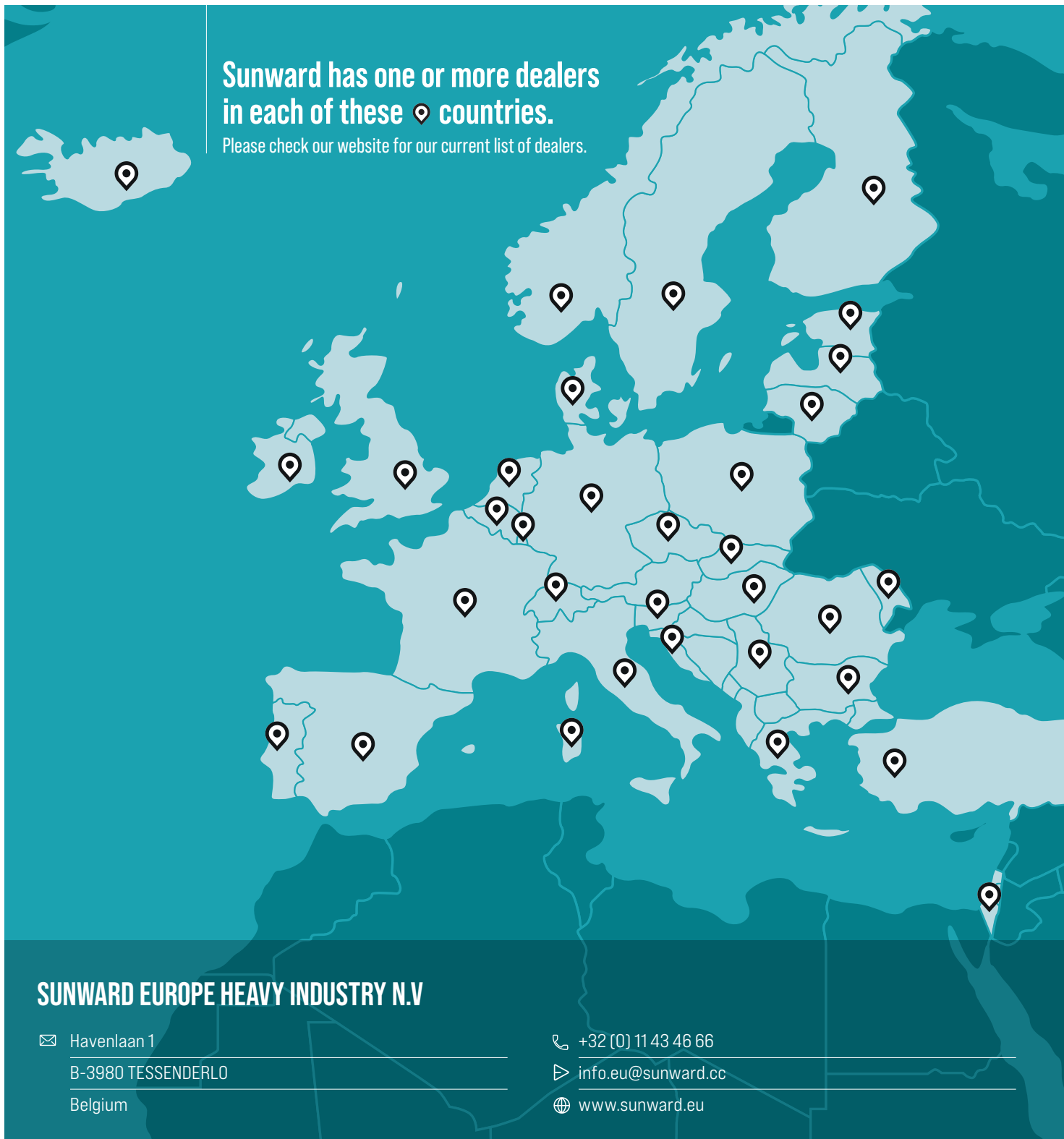
Notes:

1. Load with * is limited by hydraulic capacity and based on ISO 10567. Rated loads do not exceed 87% of hydraulic capacity.
2. Load without * is limited by tipping load and based on ISO 10567. Rated loads do not exceed 75% of tipping capacity.
3. The excavator bucket, hook, sling and other lifting accessories are not included in this table.



Sunward has one or more dealers
in each of these  countries.

Please check our website for our current list of dealers.



SUNWARD EUROPE HEAVY INDUSTRY N.V

✉ Havenlaan 1
B-3980 TESSENDERLO
Belgium

☎ +32 (0) 11 43 46 66
▶ info.eu@sunward.cc
🌐 www.sunward.eu

CE_EU_L3_SWE215F5A-2021005_EN_EU

DEALER CONTACTS