

INNOVATION LEADS TO VALUE



SL16W WHEEL LOADER

◆ Rated power/speed:45kW/2200rpm ◆ Standard bucket capacity:0.73m³ ◆ Rated load capacity:1600kg



CONFIGURATION

Rops & Fops Cabin With Maintenance Port

Electric Work Control

0.73 (Detachable Shovel Teeth)

Floating Function

Quick Hitch

Triple Mechanical Operation

Pressure Measuring Valve

Cooling Air Conditioner

Heater

Cold Start Device

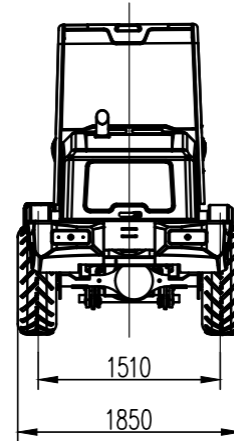
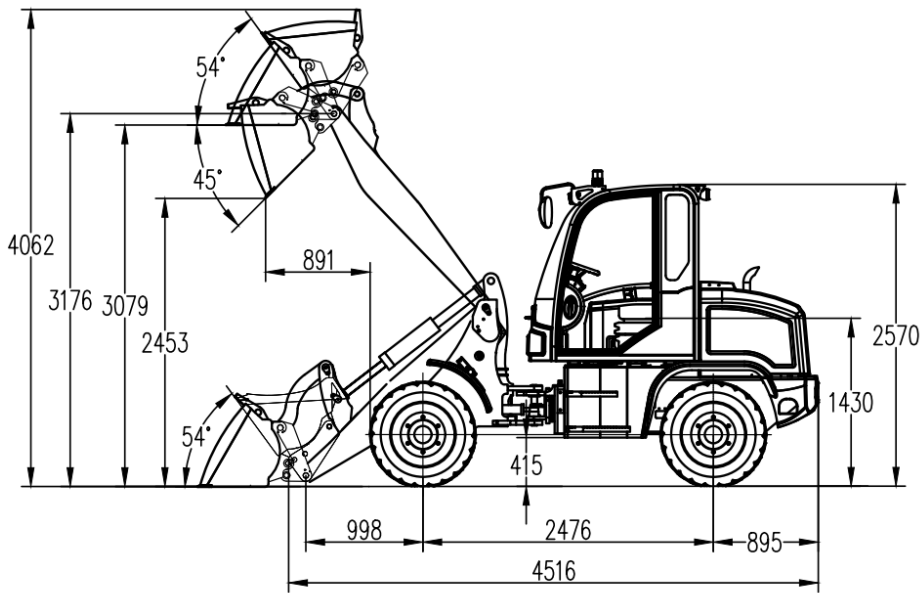
Radio

OPTIONAL

Log Grasper

Goods Grasper

Mp3



Vehicle parameters	
Overall length (bucket on ground)	5267 mm
Overall Width	1850 mm
Overall Height	2570 mm
Bucket capacity	0.73 m ³
Rated load	1600 kg
Overall Weight	4400 kg
Max.Breakout Force	28 kN
Max.Tractive Force	33 kN
Max.Dumping height	2453 mm
Max.Dumping reach	891 mm
Min.base to the ground	410 mm
Wheelbase	2476 mm
WheelTread	1510 mm
Tyre	23.5/70-16

Engine	
Manufacturer/model	YUNNEI DEF20CDF4 (Euro5)
Rated Power	45
Rated Speed	2400

Transmission System	
Type	Hydraulic Torque Converter
Shift gear control Type	Electric
Travel speed	20

Bucket	
Bucket width	1850
Bucket type	Heavy-duty bolt on teeth

Operating System	
Steering system	Full Hydraulic
Min.turning radius	4476
Driving system	Hydraulic torque, 4WD

Brake System	
Service Brake	disc brake
Parking Brake	disc brake

